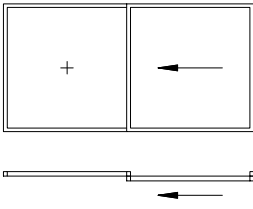
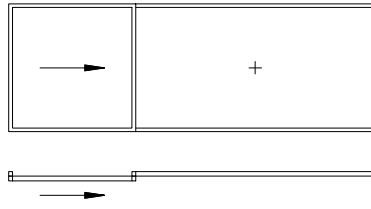


The air-lux window-facade system is single track designed, the sliding casement moves outside in front of the fixed glazing.  
All views are drawn from the outside perspective.

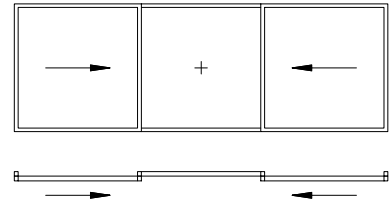
1 right sliding casement with 1 right fixed pane



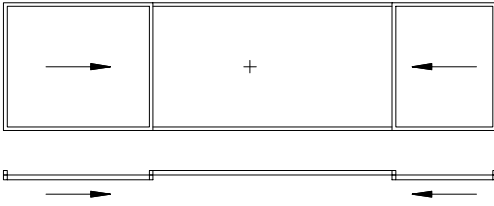
1 left sliding casement with 1 right fixed pane (variation)



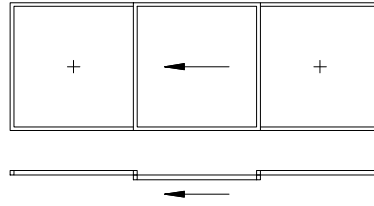
2 external casements sliding left and right over 1 central fixed pane



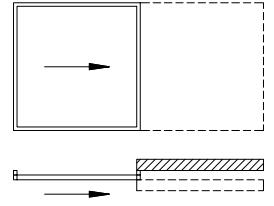
2 external casements sliding left and right over 1 central fixed pane (variation)

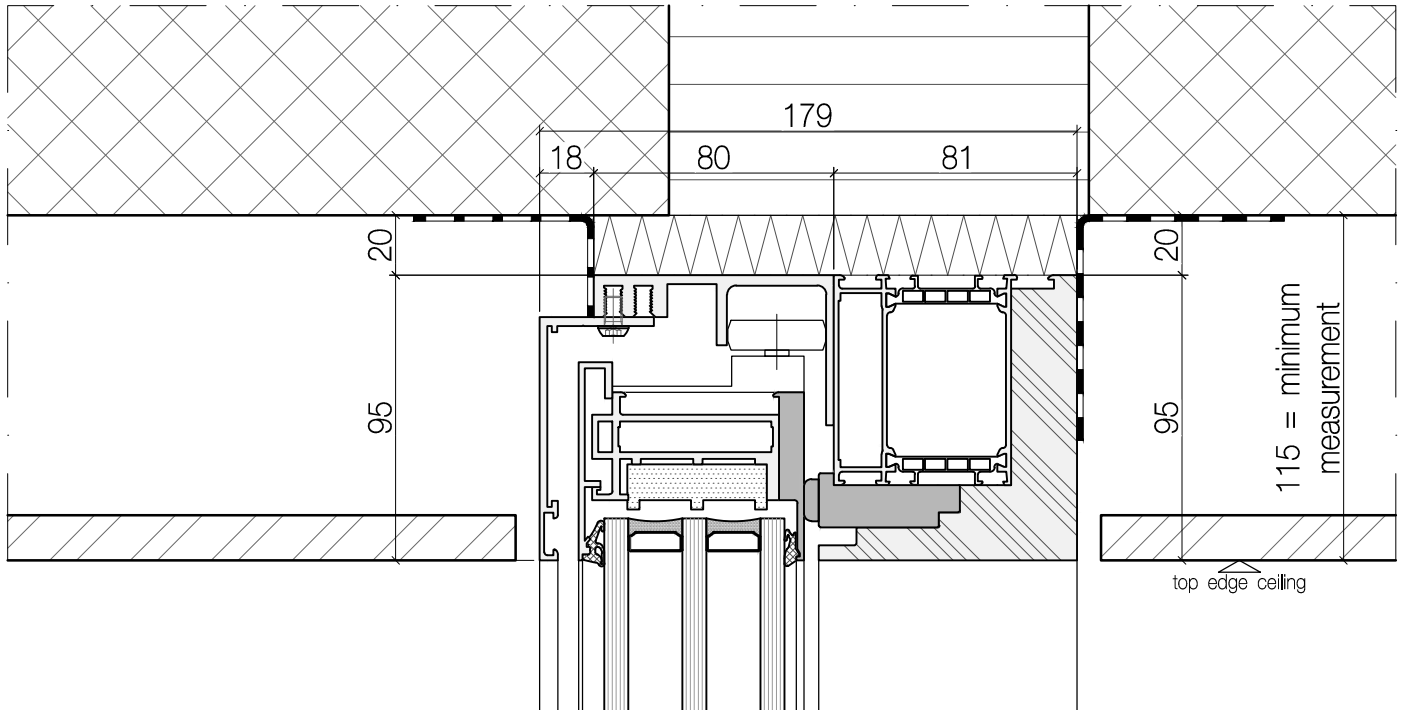


1 central casement sliding left over the left of two left and right fixed panes



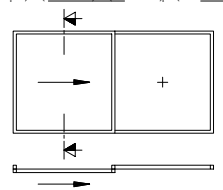
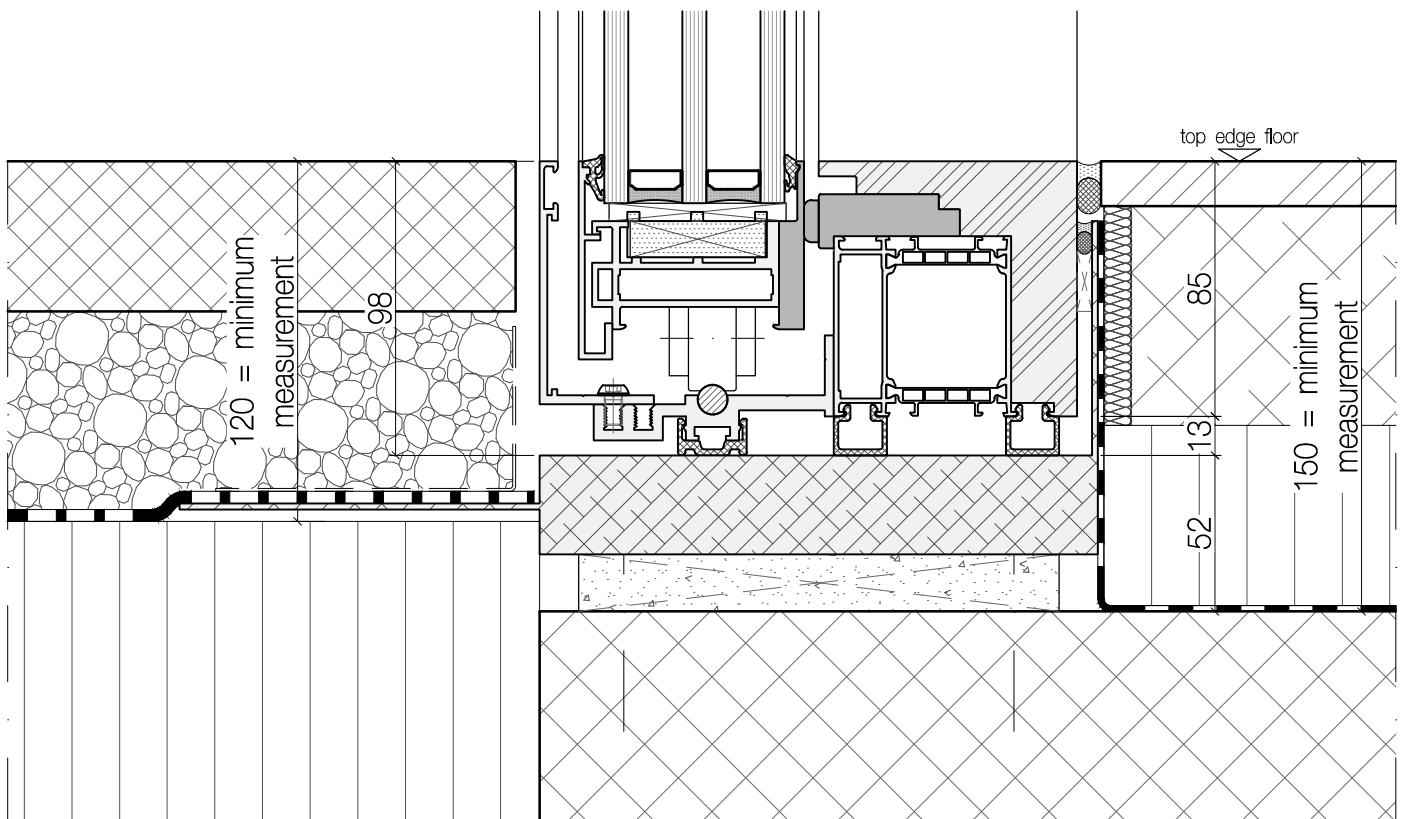
1 left casement sliding right superimposing the exterior masonry

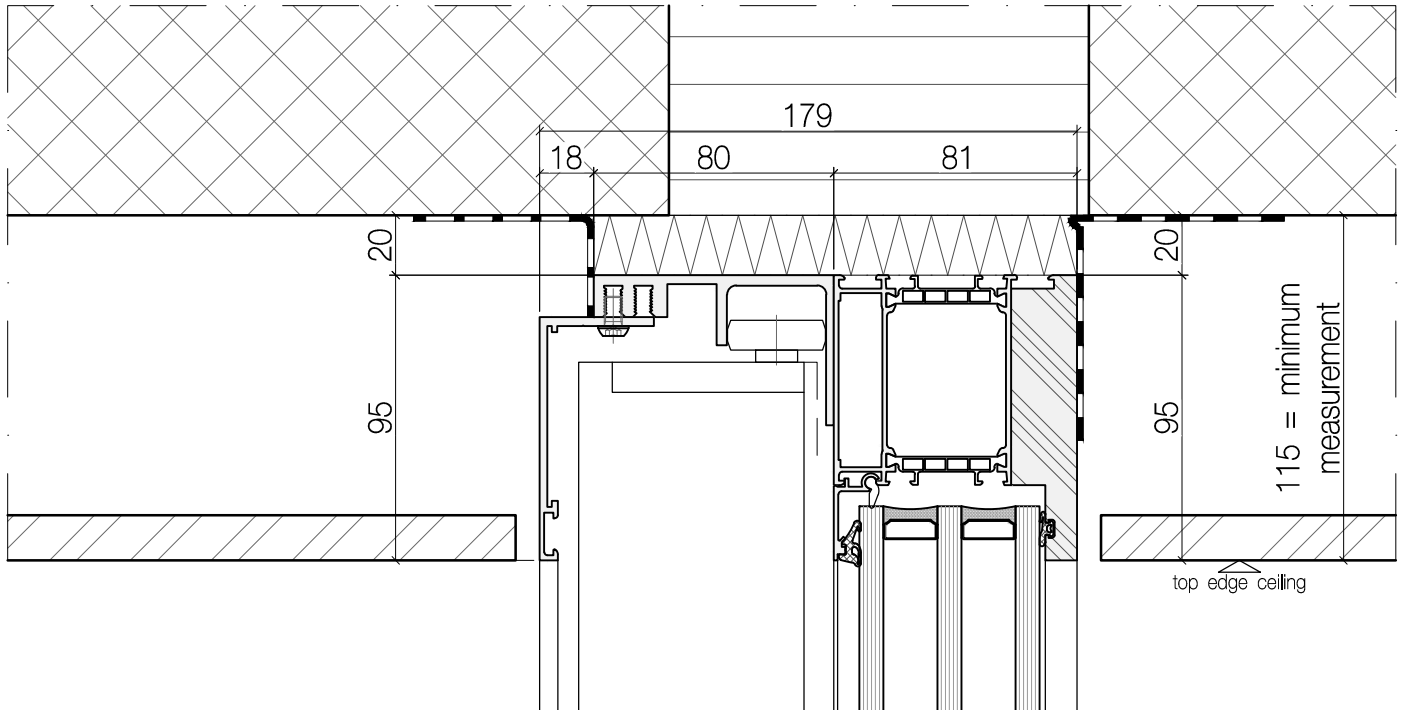




Exterior

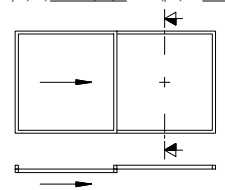
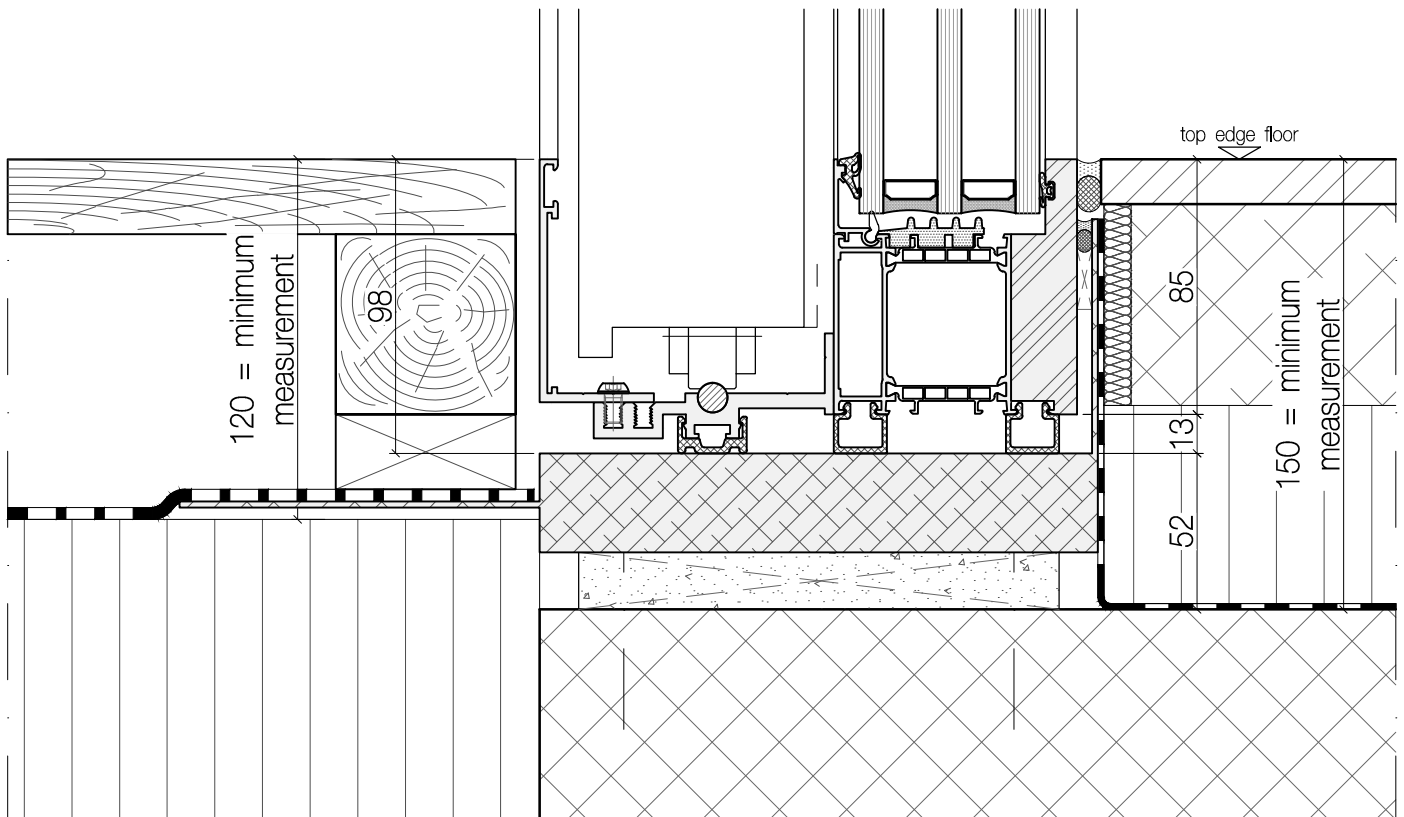
Interior

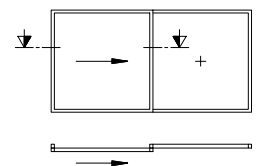
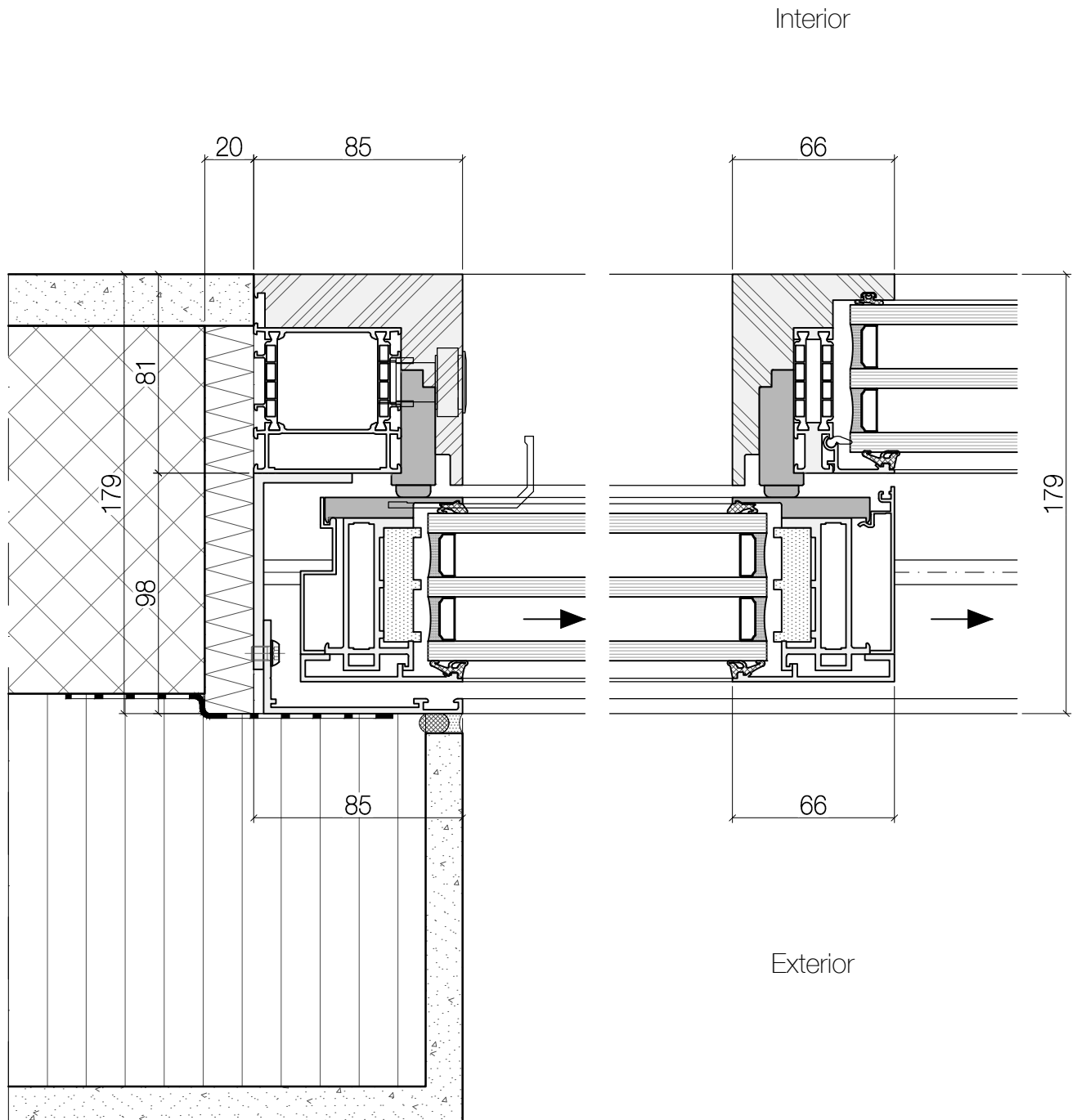


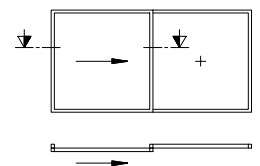
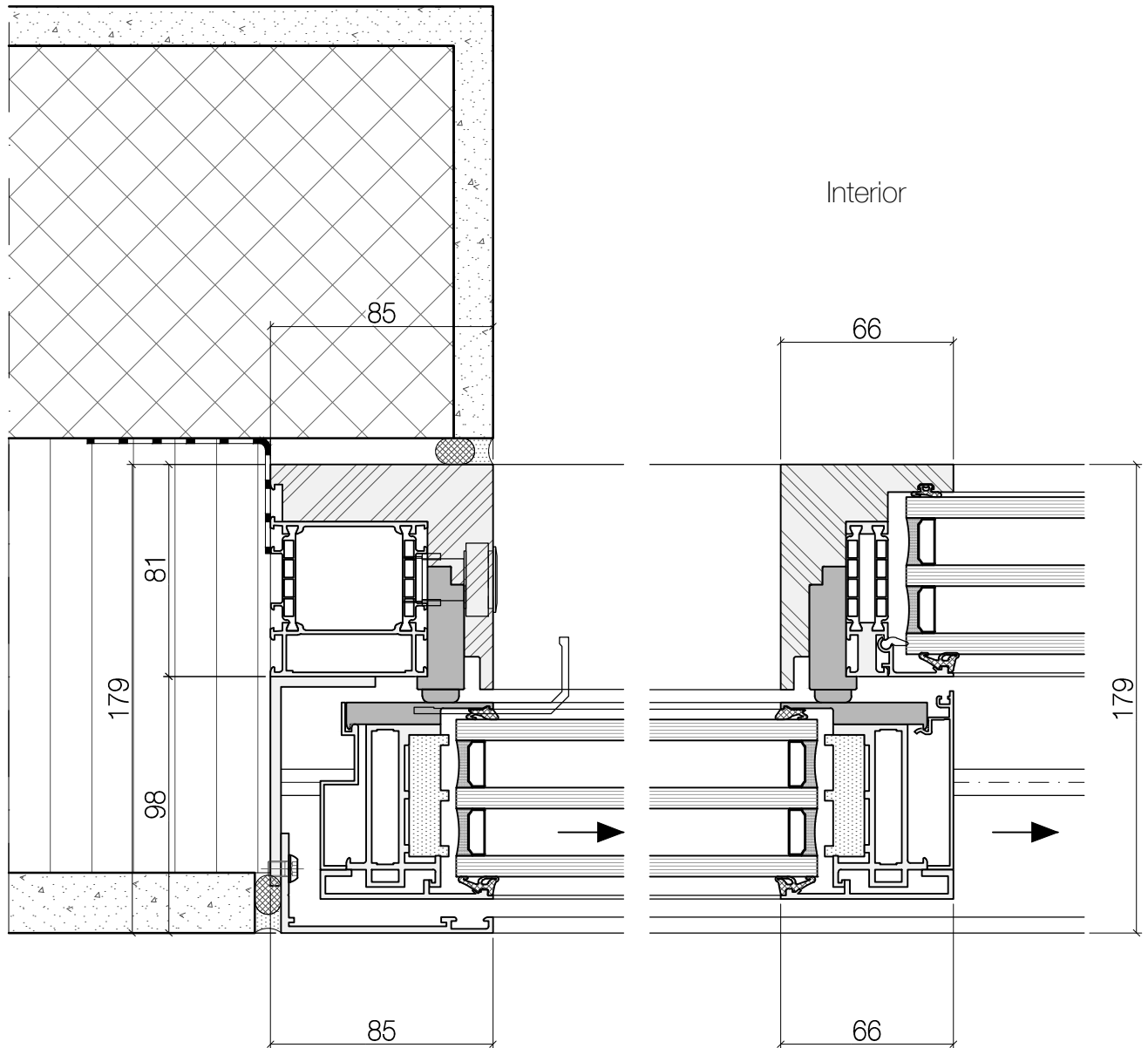


Exterior

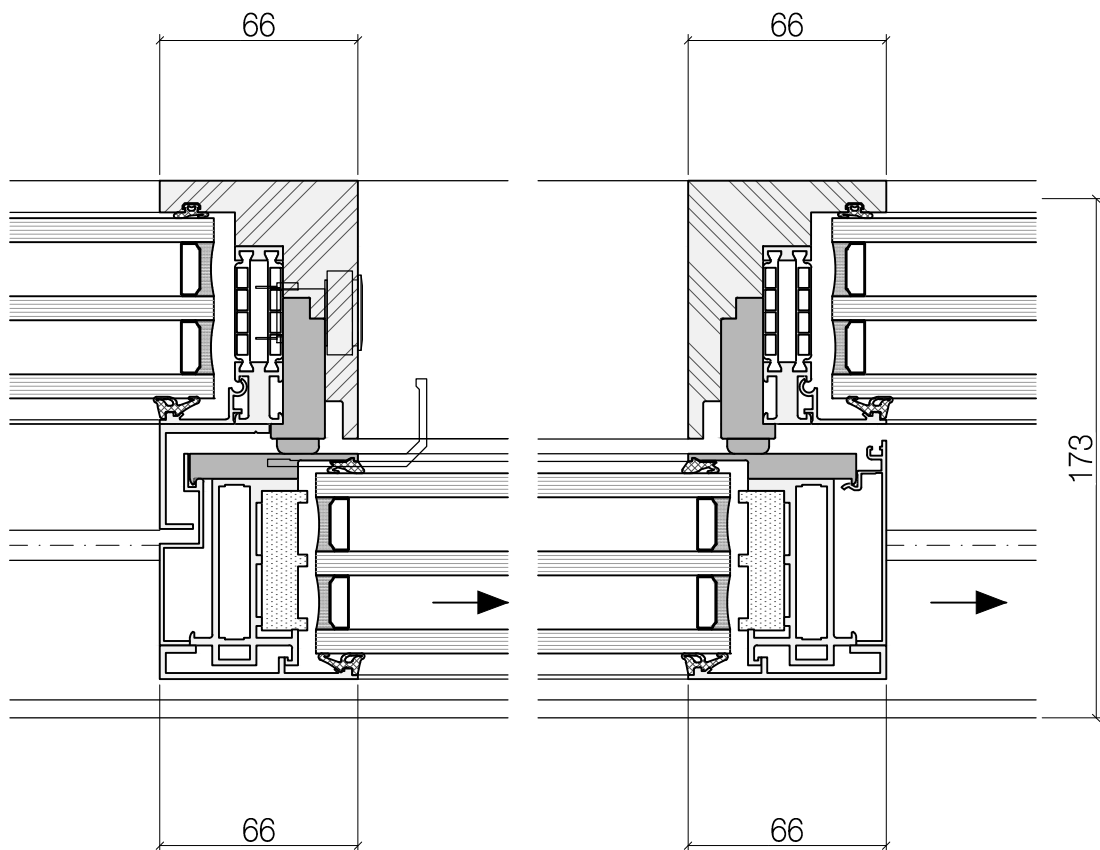
Interior







Interior



Exterior

